



Weneo 2.0

Generation 2.0 of USB secure tokens

NEOWAVE

Security, Performance & Modularity



USB secure tokens range featuring:

- 1 One or two smart cards
- 2 SIM card reader
- 3 Mass storage (8 to 32 GB) with optional password protection
- 4 Antenna for contactless communication (RFID/NFC)
- 5 ID photo slot

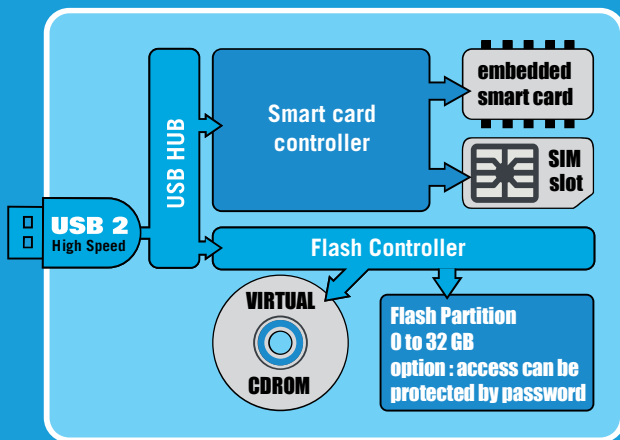


Wide range of applications: Logical and physical access control, data protection, payment, e-ticketing...



In the lineage of smart cards, the new range of USB secure tokens is relying on smart card performances as well in connected mode as in contactless mode (RFID/NFC). Unachieved Flash memory capacities have been added. So Weneo 2.0 becomes an ideal personal or professional object to protect your identity, your access, your data and your transactions on your computer, tablet or smart phone.

	Weneo Standard	Weneo Pass	Weneo SIM	Weneo Duo
Built-in smart card	✓	✓	-	✓
SIM smart card (slot SIM)	-	-	✓	✓
Antenna / contactless mode (RFID/NFC)	✓	✓	✓	✓
Flash Memory (option) (8 to 32 GB)	✓	✓	✓	✓
Password protection (option)	✓	✓	✓	✓
Graphical customization (option)	✓	✓	✓	✓
ID photo slot	-	✓	-	-
Unique ID laser customization (option)	✓	✓	✓	✓



TECHNICAL CHARACTERISTICS

USB Interface

- USB 2.0 High Speed (USB 1.1 and USB 3.0 compatible)
- PC/SC CCID (standard driver)

Flash Memory (option)

- TLC Flash (8 to 32 GB)
- 2 types of partition available
 - Virtual CDROM (read only)
 - Data partition (read/write)
- Partition access can be protected by password

Contactless protocols

- ISO/IEC 14443 Type A
- MIFARE Classic 1K/4K, DESFire
- ISO/IEC 14443 Type B, B' (Innovatron)

Operating Systems

- Microsoft Windows
- Apple Mac OSX, Linux
- Android

Browsers

- Internet Explorer, Firefox, Chrome, Safari

Supported Dual Smart Cards

- Native OS (ex CD21) or Java Card / Global Platform
- E²prom: 2K to 80K.
- Security Algorithms: DES/3DES/AES/RSA.
- Common criteria level: upto EAL5+

Size: 35x72x9mm / Weight: 20g



• Weneo 2.0 products come with a two year warranty

